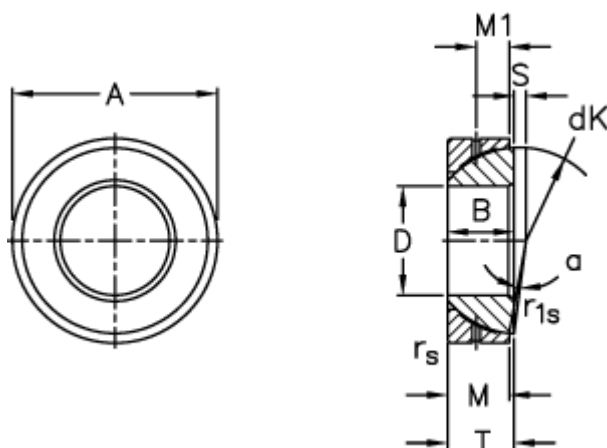


Article number: 03509060

Description: Fluro Rod end GE 60SX

## Measures



A	= 95 0 -0,018	S	= 5.7
B	= 23	Static load C0 (kN)	= 800
D	= 60 0 -0,015	T	= 23 +0,25 -0,50
dK	= 88.5	Tilt angle	= 2.5
Dynamic load C (kN)	= 160	Weight	= 714
M	= 21		
M1	= 11.5		
rs, r1s min	= 1.1		